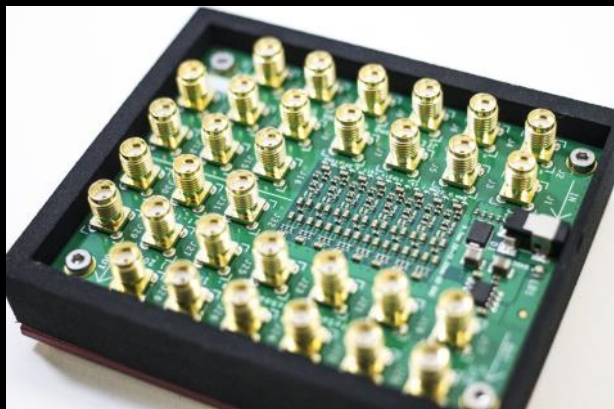




Standalone 16-Channel Preamplifier Board



- Protective housing with SMA input/output connectors
- Compact 2 x 20 mm preamps per channel
- +40 dB Gain per channel

Channels

Channels per Preamp

16

Amplification ⁽¹⁾

40 dB

Input Impedance ⁽²⁾

49.9 kΩ

Preamp

Output Impedance

50 Ω

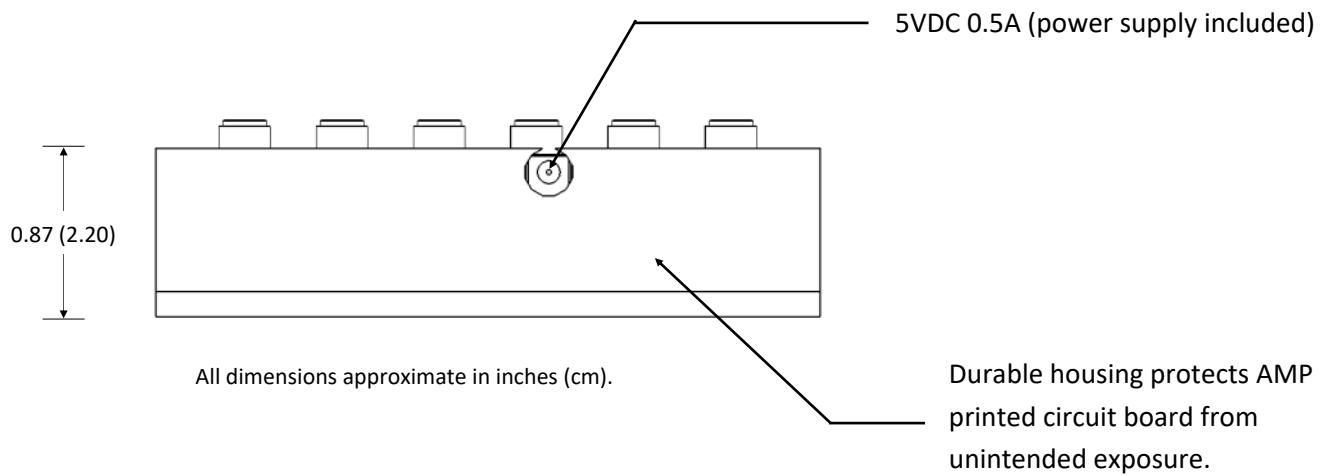
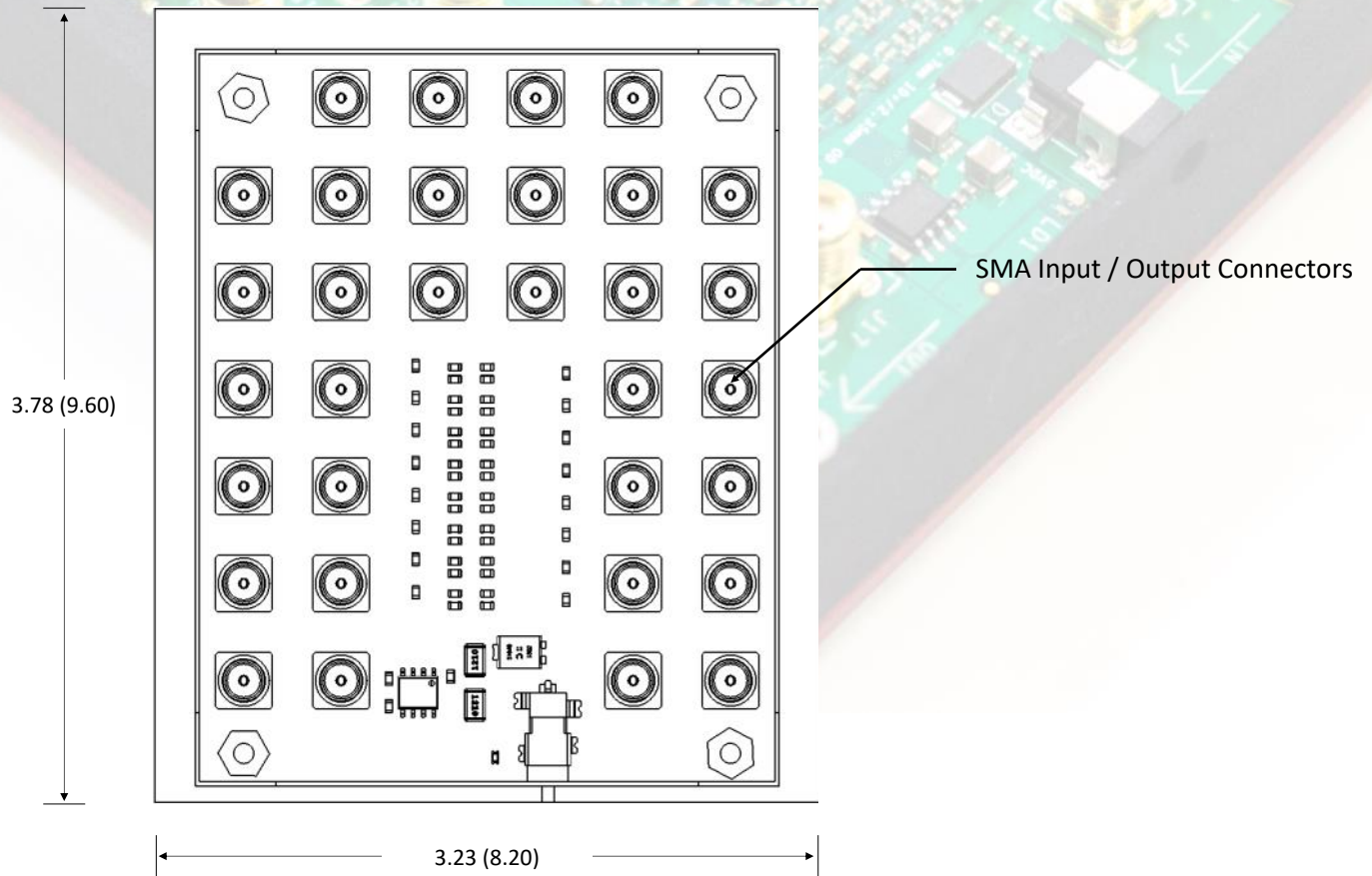
Bandwidth @ -3 / -6 dB ⁽³⁾

40/25 kHz to 35/30 MHz

(1) Measured with 50Ω load. Actual gain will depend on the probe capacitance (typical channel gain mismatch < 1 dB).

(2) HiZ is the best to minimize noise at high frequencies.

(3) Measured using signal generator and oscilloscope with 50Ω input.



All dimensions approximate in inches (cm).

Version AMP16.001.0119 © 2019

Trademarks are the property of PhotoSound®

All specifications are subject to change without notice.

FLASH AMP16 is classified EAR99 and does not require an export license.

PhotoSound Technologies, Inc. | Imaging and Data Acquisition Solutions

9511 Town Park Drive | Houston, TX 77036 USA

www.pst-inc.com | info@pst-inc.com | 713-401-9407