



Standalone 16 Channel Test Preamplifier Board



- Find optimal probe matching impedance
- Protective housing with SMA input/output connectors
- Range of input impedances from 1.2kΩ to 1M
- Compact 2 x 20 mm preamps per channel

Channels

Channels per Preamp

16

Preamp

Amplification ⁽¹⁾

40 dB

Input Impedance ⁽²⁾

See table

Output Impedance

50 Ω

Bandwidth @ -3 / -6 dB ⁽³⁾

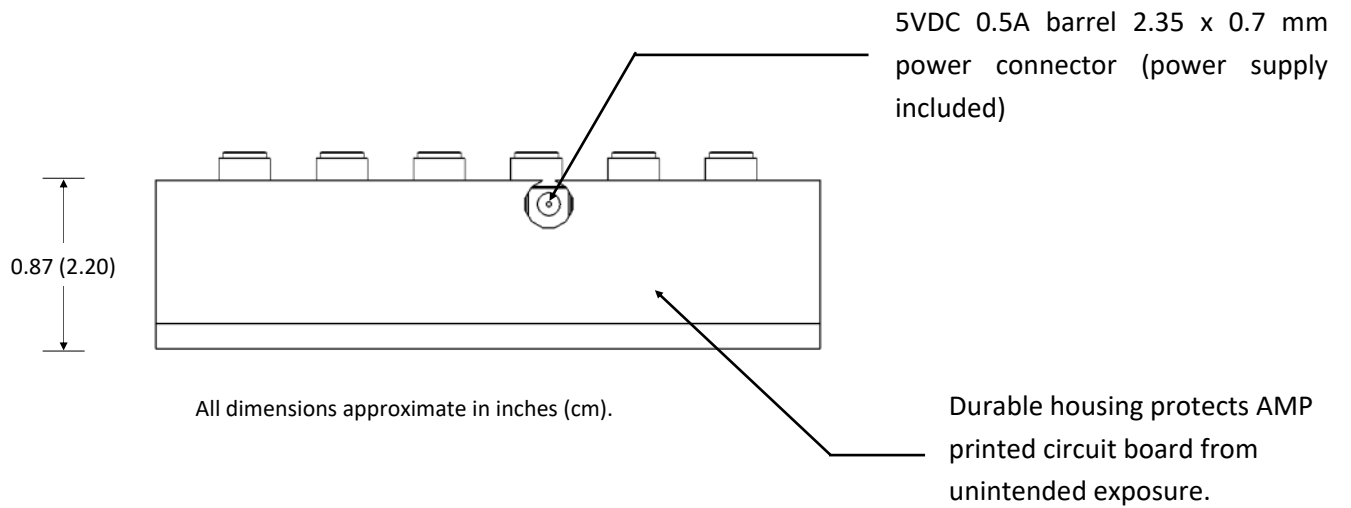
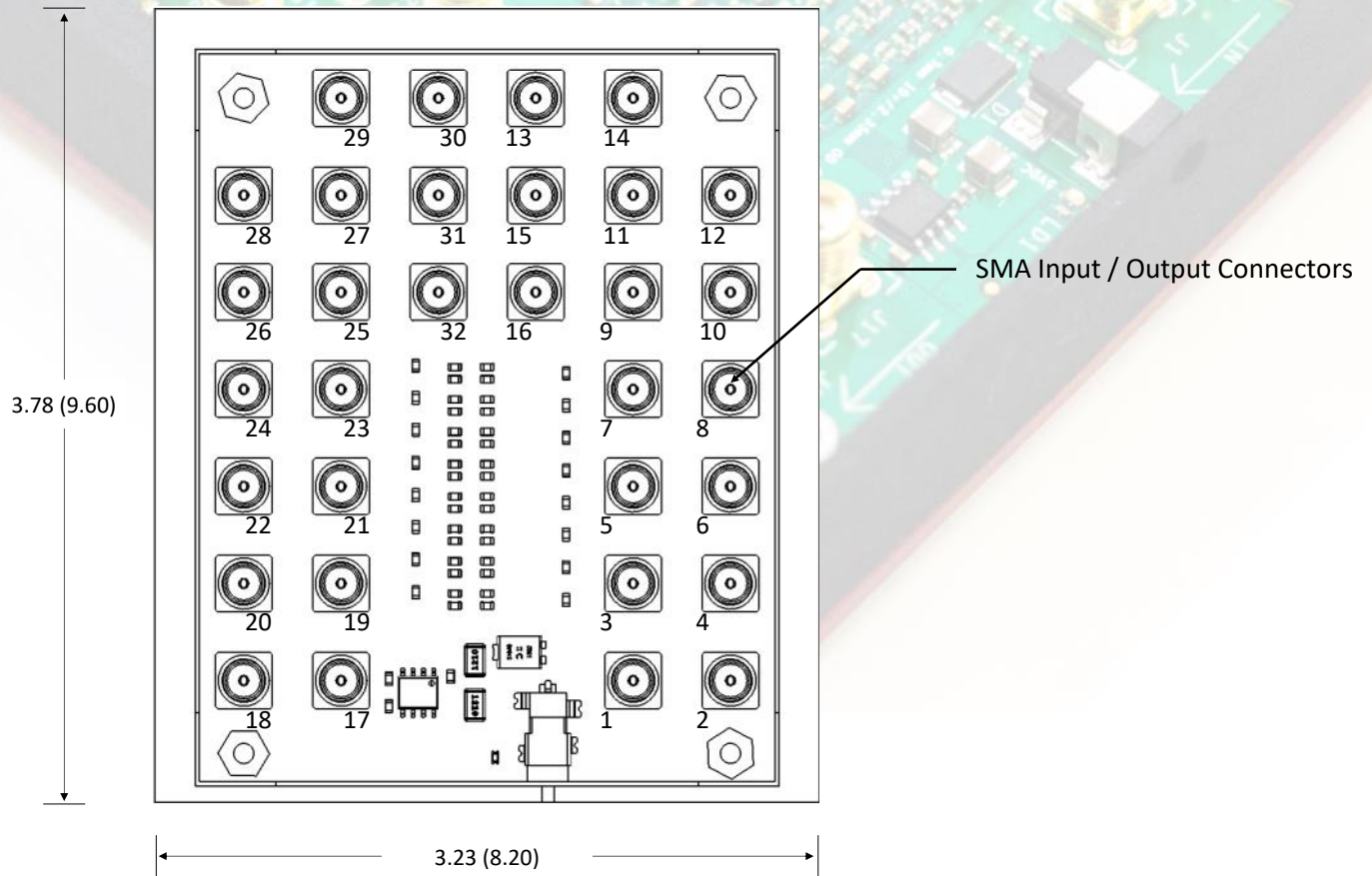
40/25 kHz to 30/35 MHz

(1) Measured with 50Ω load. Actual gain will depend on the probe capacitance (typical channel gain mismatch < 1 dB). Crosstalk is ≤ -50 dB (might be higher with custom connector). In order to archive ≤ -50 dB crosstalk custom connector must have signal and ground pins altered per channel or in checkerboard order.

(2) HiZ is the best to minimize noise at high frequencies.

(3) Measured using signal generator and oscilloscope with 50Ω input.

Input Connectors	Output Connectors	Input Impedance (kΩ)
15, 16	31, 32	1000
13, 14	29, 30	470
11, 12	27, 28	200
9, 10	25, 26	100
7, 8	23, 24	39
5, 6	21, 22	10
3, 4	19, 20	2.2
1, 2	17, 18	1.2



Version AMP16t.001.0119 © 2019

Trademarks are the property of PhotoSound®

All specifications are subject to change without notice.

FLASH AMP16t is classified EAR99 and does not require an export license.

PhotoSound Technologies, Inc. | Imaging and Data Acquisition Solutions

9511 Town Park Drive | Houston, TX 77036 USA

www.pst-inc.com | info@pst-inc.com | 713-401-9407