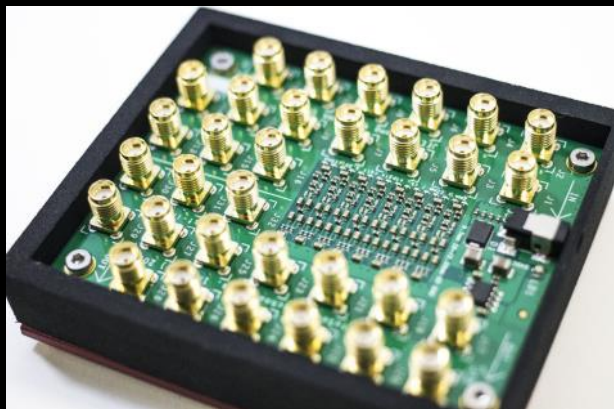




Standalone 16-Channel Preamplifier Board



- Protective housing with SMA input/output connectors
- Compact 2 x 25 mm preamps per channel
- +40 dB gain per channel

Channels

Channels per Preamp

16

Amplification ⁽¹⁾

40 dB

Input Impedance ⁽²⁾

49.9 kΩ

Preamp

Output Impedance

50 Ω

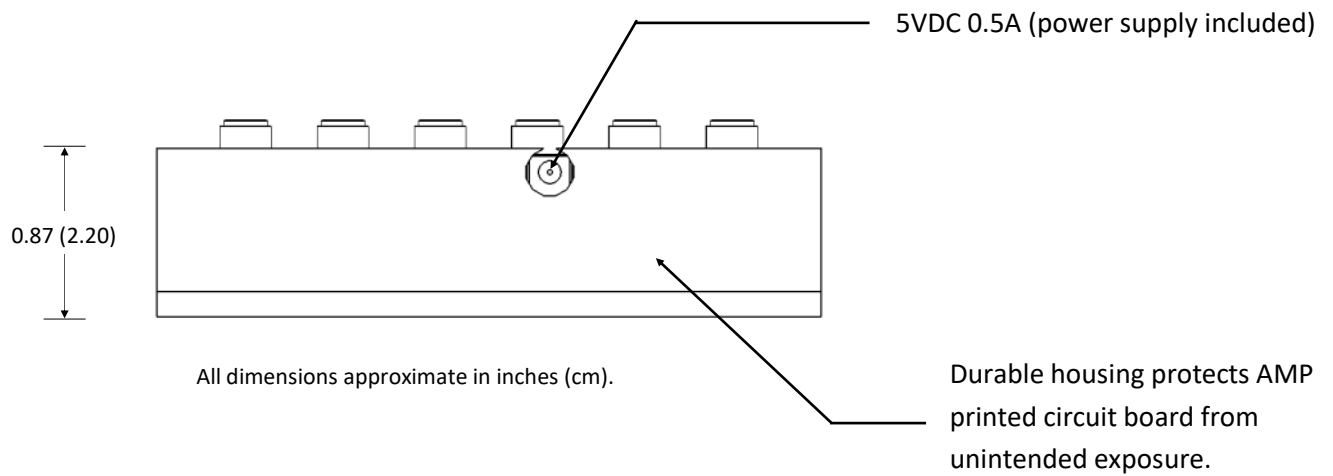
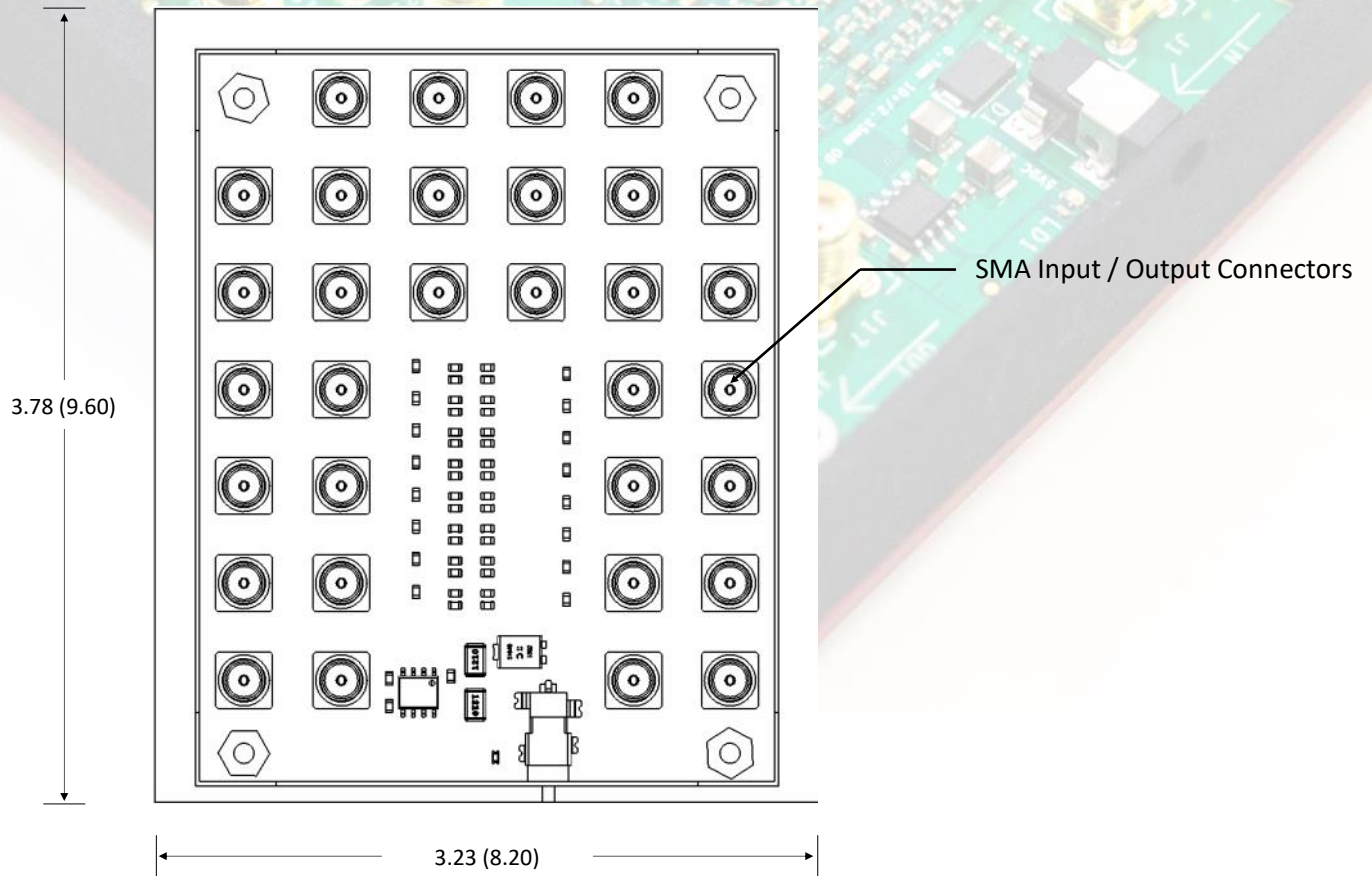
Bandwidth @ -6 dB ⁽³⁾

40 kHz to 35 MHz

(1) Measured with 50Ω load (actual gain depends on probe capacitance)

(2) Customizable up to 1MΩ (HiZ is the best to minimize noise at high frequencies)

(3) Measured using signal generator and oscilloscope with 50Ω input



All dimensions approximate in inches (cm).

Version AMP16.002.0619 © 2019

Trademarks are the property of PhotoSound®

All specifications are subject to change without notice.

FLASH™ AMP16 is classified EAR99 and does not require an export license.

PhotoSound Technologies, Inc. | Imaging and Data Acquisition Solutions

9511 Town Park Drive | Houston, TX 77036 USA

www.pst-inc.com | info@pst-inc.com | 713-401-9407